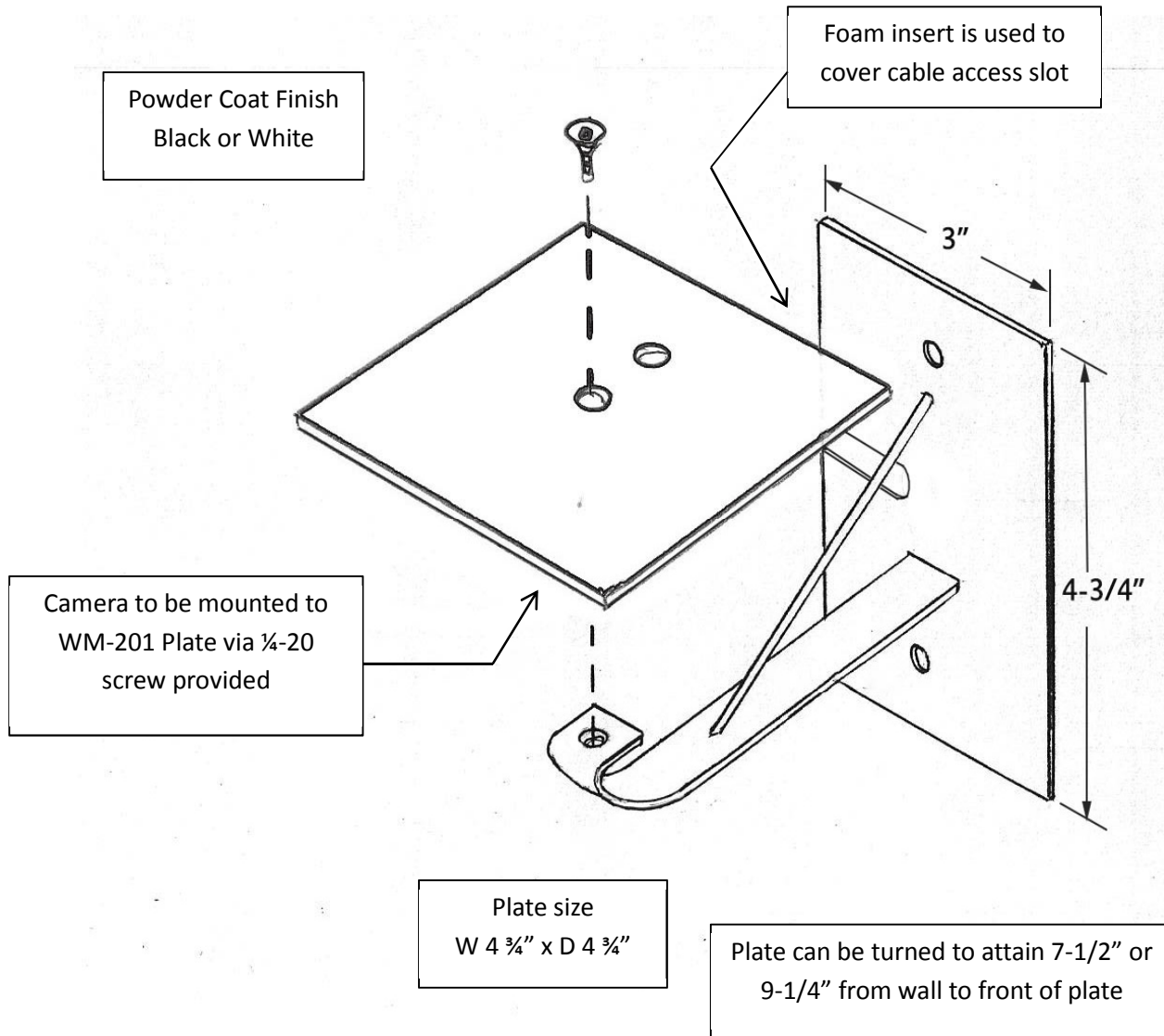


# WM-205B(Black) or WM-205W(White)

Wall mount for Lifesize HD Camera



**Note: WM-205B consists of 2 parts,  
WM-201 Plate and WM-325 Bracket**

***Designed for mounting on wall or directly over a standard single gang electrical box***